

SVENSK RADIO

Box 30, 234 00 LOMMA



**OWNER'S
BOOK**

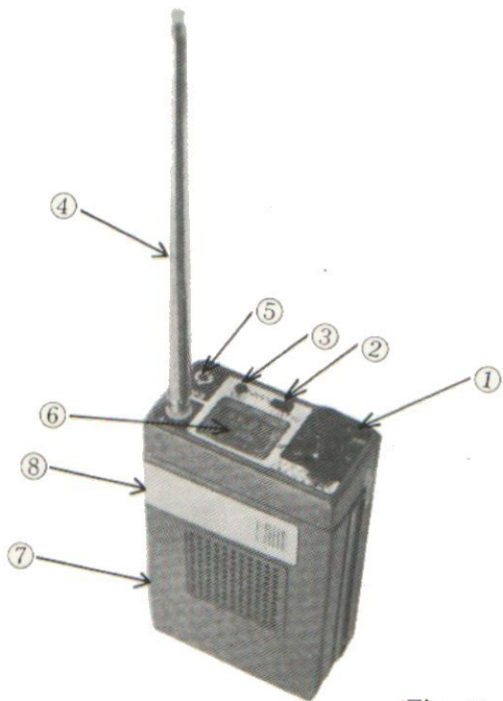
Model SR-13-905A

10 Channels

Automatic Scanning

Pocketable Monitor

VHF-FM HI/LOW—BAND



(Fig. 1)

Automatic Scanning Pocketable Monitor

OUTLINE

This pocketable crystal controlled FM receiver is supplied with Automatic Scanning designed to operate 10 channels in the 140 MHz—170 MHz or 78—80 MHz band.

Being a crystal controlled receiver, this unit requires one crystal for each frequency you want to monitor. Generally speaking, frequencies for the various radio services such as police, fire, business, etc. vary from area to area and it is suggested that you contact your local authorities for frequency information for your area once you have determined the frequencies you want to monitor, crystals may be ordered from your dealer. This unit is provided with a nickel-cadmium battery and this nickel-cadmium battery can be recharged hundreds of times and provide long-lasting economical power.

OPERATING CONTROLS AND FUNCTIONS

(Figure 1)

1. SWITCH, VOLUME — ON/OFF

Turn the volume control clockwise and then adjust this control to a comfortable level. The squelch has been installed in the circuit and completely

adjusted.

2. SCAN CONTROL AND CHANNEL SELECT

The scan AUTO-MANUAL-CHANNEL Select switch has two functions. It switches from automatic to manual scanning and also serves as a channel selector switch in the manual scanning mode. In the case of a continuous broadcast station, the scanning circuit will lock on this channel and not scan.

3. SELECTOR SWITCH

Selector switch serves as a channel selector switch in the manual scanning mode.

4. ROD ANTENNA INSTALLATION

The rod antenna should be mounted and extended.

5. EARPHONE JACK

The earphone jack permits listening without disturbing others. Simply plug an earphone into the earphone socket on the unit. The speaker will be automatically disconnected and receiving will be heard only through the earphone.

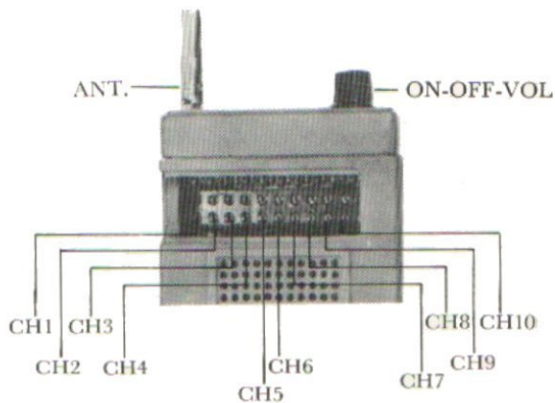
6. CHANNEL INDICATOR LIGHTS

7. CHARGER SOCKET

The unit may be charged from any convenient AC outlet with the use of an optional battery charger.

8. OPENING FOR CRYSTAL INSTALLATION

CRYSTAL INSTALLATION (Fig. 2)



$$\text{VHF LOW BAND CRYSTAL FREQUENCY} = \frac{\text{DESIRED CHANNEL FREQUENCY} + 10.7\text{MHz}}{2}$$

$$\text{VHF HIGH BAND CRYSTAL FREQUENCY} = \frac{\text{DESIRED CHANNEL FREQUENCY} - 10.7\text{MHz}}{3}$$

Crystal Holder Type	: HC-25U
Model of Oscillation	: Third Overtone
Frequency Tolerance	: 2×10^{-6} (+25°C)
Max. Series Resistance	: Under 30 Ohms
Rated Drive Level	: 3 mW
Capacitance Shunt	: 7 pF

OPERATING INSTRUCTIONS

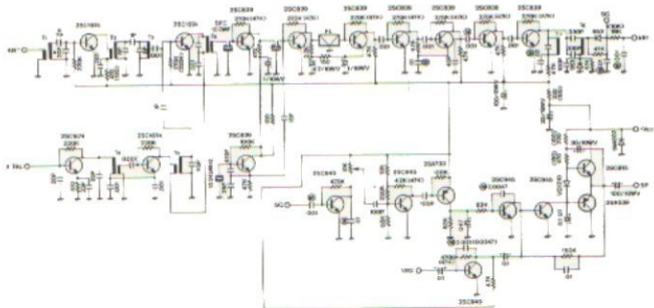
The explanations of operating controls and functions should be read and understood before actual operation of this receiver.

1. Insert desired crystals in the proper positions.
2. Insert the rod antenna into antenna socket and extend it.
3. Select either automatic or manual scanning operation.
4. Turn the volume control clockwise and then adjust this control to a comfortable level.

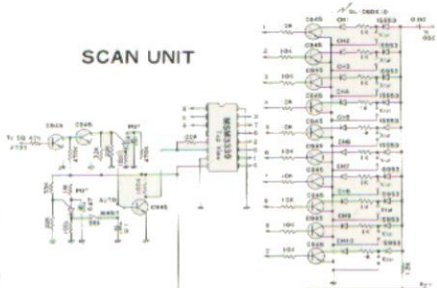
SPECIFICATIONS

Circuitry	: 33 Transistors. 12 Diodes. 10 LEDs. Ceramic Filter. 2 PUT 1 C-MOS IC
Frequency	: VHF Low 78-80 MHz band (MODEL SR-13-905A) VHF High 140-170 MHz band (Model SR-13-905B)
Channels	: 10 Channels
Sensitivity	: 0 dB (1 μ V) input S/N more than 26 dB
Adjacent channel rejection	: More than 50 dB
Scan rate	: Channels per 0.4 second
Power supply	: Nickel-Cadmium Battery
Audio output	: 70 mW
Intermediate frequencies	: 1st IF 10.7 MHz 2nd IF 455 KHz
Dimensions	: 66 W \times 33 H \times 112 D m/m
Weight	: 260 g
Accessories	: Earphone. Rod Antenna. Battery charger. Nicad Battery (Installed)

RECEIVER UNIT

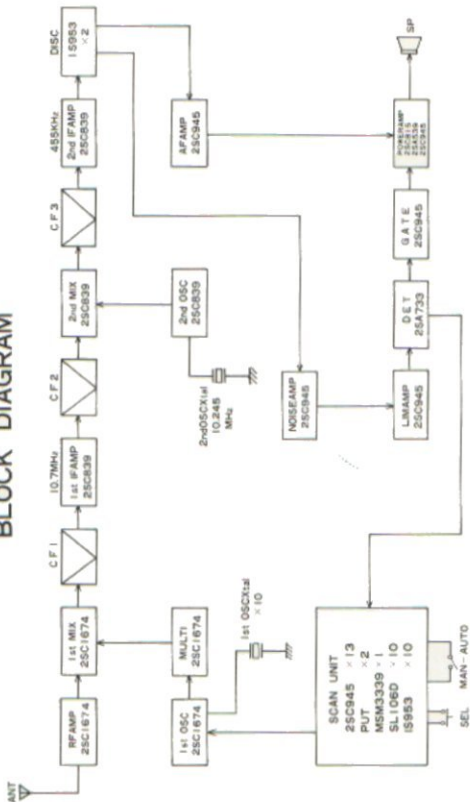


SCAN UNIT



RESISTORS
 R IN OHMS UNLESS OTHERWISE NOTED R & R2
CAPACITORS
 IN PF UNLESS OTHERWISE NOTED P & P
 C 1 FOR VOL. SW
 M - MULTISTAGE FILM CAPACITOR
 S MARK ALL TO BE CONNECTED BETWEEN BONDING
 POINTS WHERE

BLOCK DIAGRAM



SVENSK RADIO
Box 30, 234 00 LOMMA